

GENERAL CATALOGUE

Pneumatic Cylinders

We professionally manufacture pneumatic cylinders, mainly includes SDNC, SDNU, ESC, ESU, EMAL, SDA, SDVU, SQ2 and SX series cylinders. We are specialised in customising cylinders according to customer's applications.

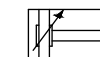


MOVEMENT

SDNC Series Cylinder (ISO 15552)



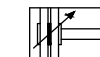
- Bore: Φ 32-125mm
- Graphics Sign



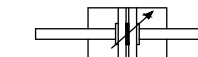
SDNC



SDNC-2S



SDNC-S



SDNC-2S-S

Features

- Conforms to ISO:15552 (Previously ISO:6431)
- Configuration with or without magnet
- Available in single and double acting configuration
- Available in single and through rod configuration
- Wide variety of seals available (NBR, Polyurethane, Viton)
- Non corrosive stainless steel piston rod
- Extensive range of accessories make it possible to install the cylinder virtually anywhere
- Since low friction during operation hence a longer service life

Order Code

SDNC

Series
SDNC-Standard Double Acting Type

50 X 50

Size
Bore X Stroke

2S

Piston Rod
Blank: Single Rod
2S: Through Rod

S

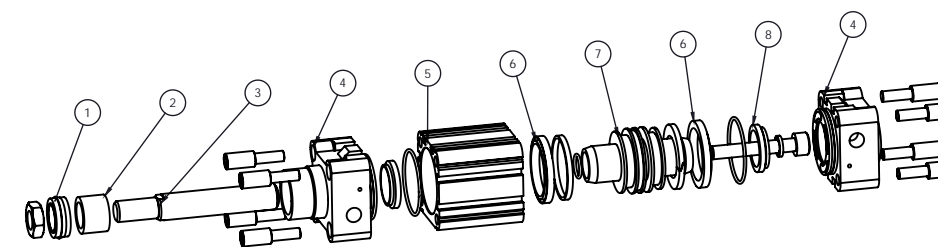
Magnet
Blank: Without Magnet
S: With Magnet

Technical Parameter

Bore (mm)	32	40	50	63	80	100	125
Standard Stroke Length* (mm)	25, 50, 75, 100, 125, 150, 175, 200, 250, 300, 400, 500, 600, 700, 800, 900, 1000						
Action	Double Acting Type						
Medium	Filtered And Lubricated Compressed Air						
Operating Pressure Range	1 - 10 Kgf/cm ²						
Proof Pressure	15 Kgf/cm ²						
Ambient And Medium Temperature	-5 - 70°C						
Operating Piston Speed	50 - 800 mm/s						
Cushion Type	Adjustable Cushioning Both End						
Cushion Stroke (mm)	20		22		32		42
Port Size	G1/8"		G1/4"		G3/8"		G1/2"

* Non standard or longer stroke cylinders available on request

Components



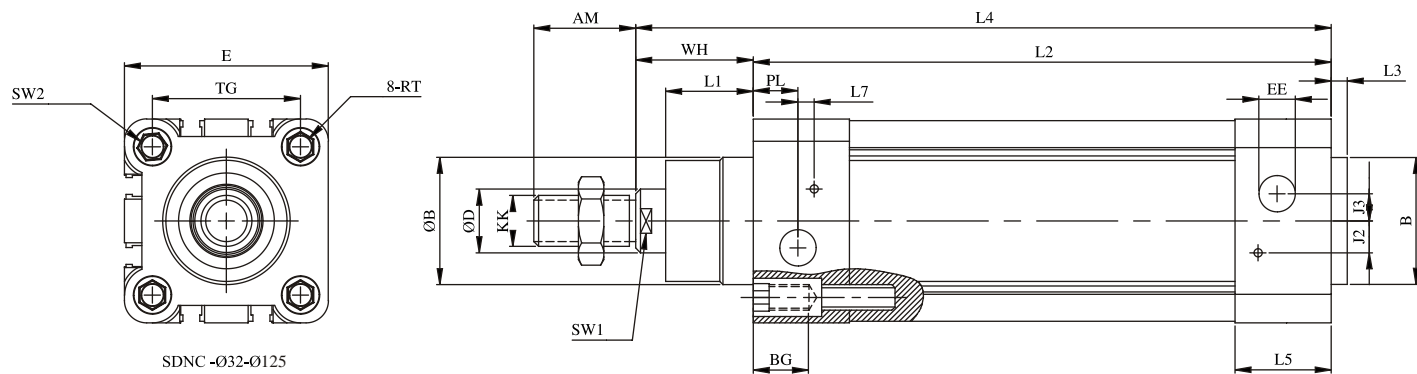
- ① Piston Rod Seal- PU (Polyurethane)
- ② Guide Bush- Brass
- ③ Piston Rod- EN 8 Chrome Plated Steel or stainless Steel
- ④ Front & rear cup- Anodised Aluminium Alloy
- ⑤ Barrel-Anodised Aluminium Alloy
- ⑥ Piston Seal- NBR, Viton or PU
- ⑦ Piston- Aluminium
- ⑧ Cushion Seal- NBR

MOVEMENT

SDNC Series Cylinder (ISO 15552)

SDNC

Overall Dimension



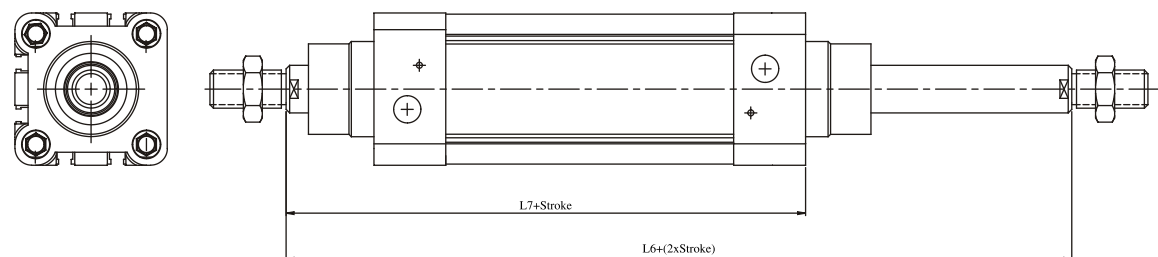
SDNC -032-0125

Dimension Table

Bore	AM	B Ød11	D ØB8	BG	E	EE	J2	J3	KK	L1	L2	L3	L4	L5	PL	L7	TG	RT	SW1	SW2	WH
32	22	30	12	16	45	G $\frac{3}{8}$	6	5.20	M10X1.25	18	94	4	120	26	15	3.3	32.5	M6	10	6	26
40	24	35	16	16	54	G $\frac{1}{4}$	8	6	M12X1.25	20.5	105.5	4	135	29.8	14	3.6	38	M6	13	6	30
50	32	40	20	17	64	G $\frac{1}{4}$	10	8.5	M16X1.5	28	106	4	143	30	14	5.1	46.5	M8	17	8	37
63	32	45	20	17	75	G $\frac{3}{8}$	12.4	10	M16X1.5	28.5	121	4	158	35.6	17	6.6	56.5	M8	17	8	37
80	40	45	25	17	93	G $\frac{3}{8}$	12.5	8	M20X1.5	34.7	128	4	174	35.6	16.4	10.5	72	M10	22	10	46
100	40	55	25	17	110	G $\frac{1}{2}$	11.8	10	M20X1.5	38.2	138	4	189	38	18	8	89	M10	22	10	51
125	54	60	32	22	134	G $\frac{1}{2}$	13	8	M27X2	46	160	6	225	44.7	18	14	110	M12	27	12	65

SDNC-2S

Overall Dimension



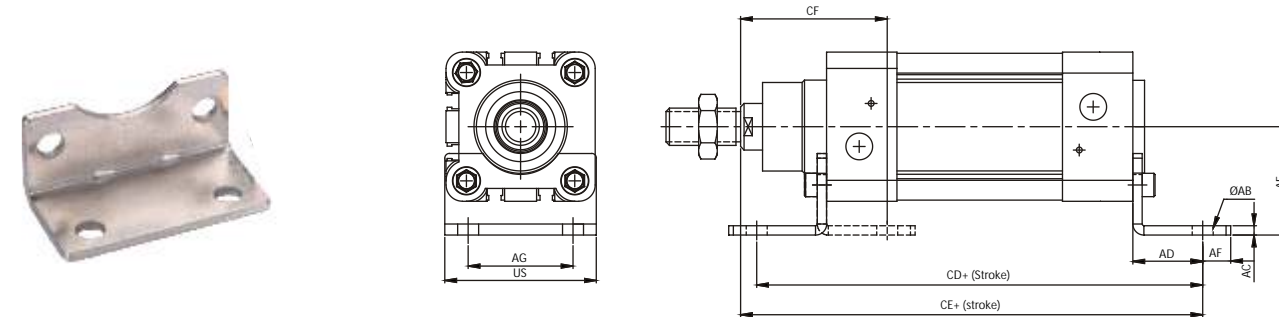
Dimension Table

BORE	32	40	50	63	80	100	125
L6	146	165	180	195	220	240	290
L7	120	135	143	158	174	189	225

MOVEMENT

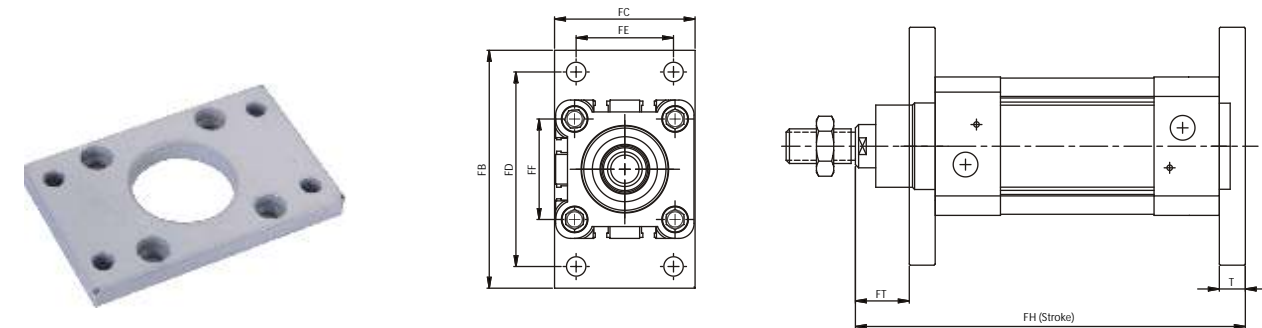
SDNC Series Cylinder Mounting

LB-SDNC



Model No.	Bore	AB	AC	AD	AE	CD	AF	AG	US	CE	CF
LBSDNC-32	32	7	4	24	32	142	7.5	32	45	144	50
LBSDNC-40	40	9	4	27	36	159	10	36	54	162	57
LBSDNC-50	50	9	4	30	45	166	12	45	64	173	67
LBSDNC-63	63	12	4	30	50	181	14	50	75	188	67
LBSDNC-80	80	14.5	5	41	63	210	19	63	93	215	87
LBSDNC-100	100	16.5	5	41	71	220	16	75	110	230	92
LBSDNC-125	125	16.5	6	45	90	250	20	90	140	270	104

FA-SDNC



Model No.	Bore	FB	FC	FD	FE	FF	FG	T	FT	FH
FASDNC-32	32	72	47	58	33	32.5	7	10	16	130
FASDNC-40	40	84	52	70	36	37	7	10	20	145
FASDNC-50	50	104	65	86	47	46.5	9	10	27	153
FASDNC-63	63	116	76	98	56	56.5	9	12	25	170
FASDNC-80	80	143	95	119	70	70	11	16	30	190
FASDNC-100	100	162	115	138	84	89	11	16	35	205
FASDNC-125	125	224	140	180	90	110	16.5	20	45	245

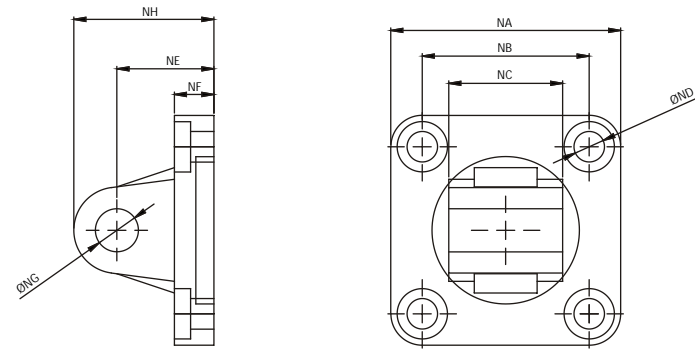
MOVEMENT MOVEMENT

SDNC Series Cylinder Mounting

MS-SDNC



With Brass Bearing

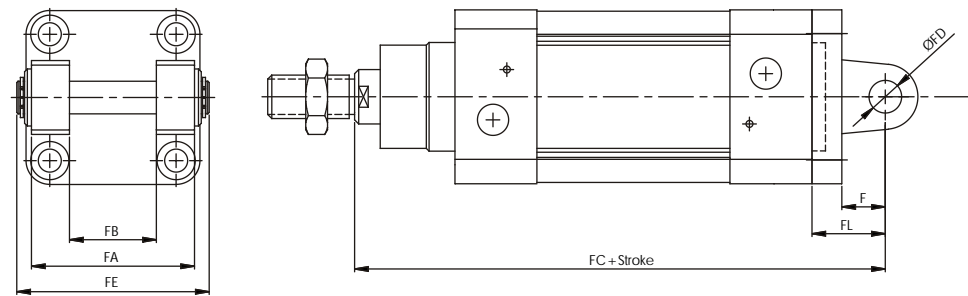


Model No.	Bore	NA	NB	NC	ND	NE	NF	NG	NH
MSSDNC-32	32	45	32.5	26	6.5	22	9	10	31
MSSDNC-40	40	53	38	28	6.5	25	9	12	37
MSSDNC-50	50	64	46.5	32	8.5	27	11	12	39
MSSDNC-63	63	75	56.5	40	8.5	22	11	16	47
MSSDNC-80	80	94	72	50	10.5	36	14	16	51
MSSDNC-100	100	111	89	60	10.5	41	14	20	61
MSSDNC-125	125	140	110	70	12.5	50	17	25	80

MD-SDNC



With Brass Bearing

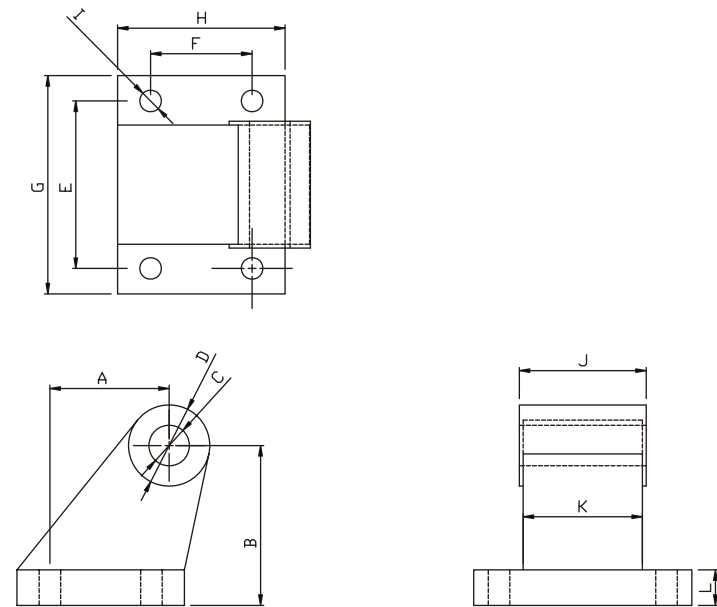


Model No.	Bore	F	FL	FD	FC	FB	FA	FE
MDSDNC-32	32	13	22	10	142	26	45	55
MDSDNC-40	40	16	25	12	160	28	53	63
MDSDNC-50	50	16	27	12	170	32	60	71
MDSDNC-63	63	21	32	16	190	40	70	82
MDSDNC-80	80	22	36	16	210	50	90	100
MDSDNC-100	100	27	41	20	230	60	110	122
MDSDNC-125	125	32	50	25	275	70	130	142

MOVEMENT MOVEMENT

SDNC Series Cylinder Mounting

MS-SDNC 90D



Model No.	A	B	C	D	E	F	G	H	I	J	K	L
MDSDNC-32-90D	22	32	∅ 10	∅ 20	38	18	51	31	∅ 6.5	25.5	12	8.5
MDSDNC-40-90D	24	36	∅ 12	∅ 22	41	22	54	35	∅ 6.5	28	15	10
MDSDNC-50-90D	33	45	∅ 12	∅ 22	50	30	65	45	∅ 9	32	16	12
MDSDNC-63-90D	37	50	∅ 16	∅ 30	52	35	67	50	∅ 8.5	40	16	12.5
MDSDNC-80-90D	48	63	∅ 16	∅ 30	66	40	86	60	∅ 10.5	49	23.5	12.5
MDSDNC-100-90D	58	72	∅ 20	∅ 37.5	76	50	96	70	∅ 10.5	59.5	24	14
MDSDNC-125-90D	70	71	∅ 25	∅ 45	94	60	124	90	∅ 14	70	30	20